

ETAP FAQ # 4

Simplify One-Line Diagram Connections Using Remote Connectors

Description: Simplification of your one-line diagram can be done using Remote Connectors in ETAP. The Remote Connector makes it possible to connect elements together, which are located in the same or different layers. Elements, branches, and protective devices may be connected to the Remote Connectors.

Version: ETAP 4.0.4

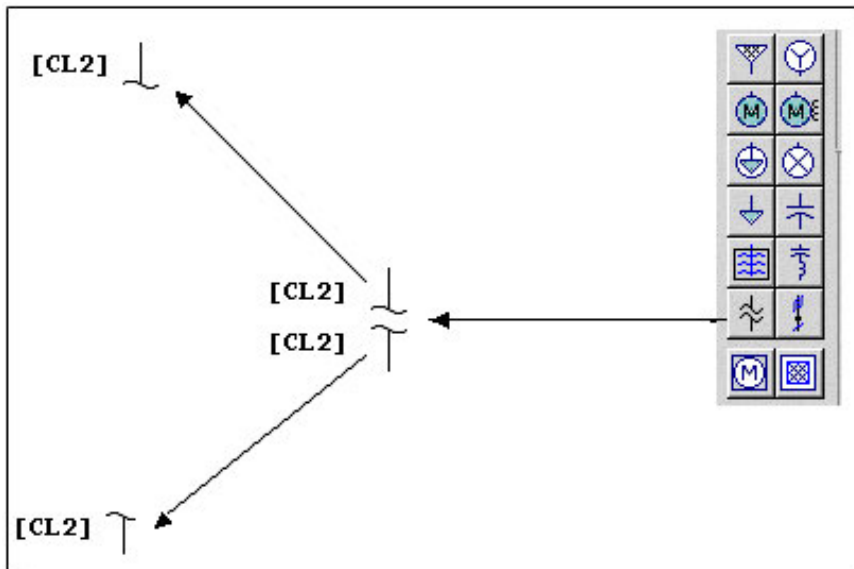
Published: July 11, 2002

Objective:
It is highly desirable to simplify your one-line diagrams when you have a complex system with many elements. Developing your complete model on one page can get very complex and can lead to errors. If you were to break the complete one-line diagram into sections using Remote Connectors in ETAP, it can make your overall one-line diagram much easier to understand and read.

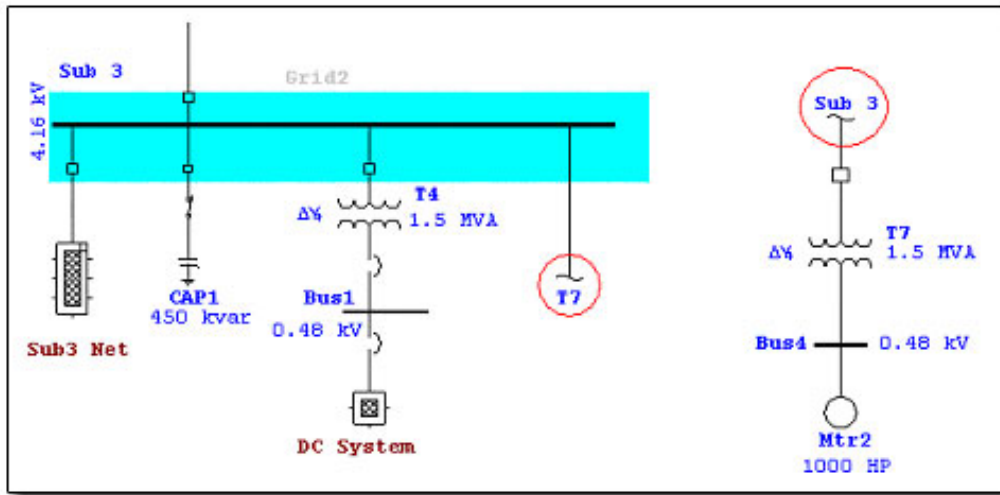
Solution:
ETAP Remote Connector is a versatile tool for achieving simplification of a one-line diagram. It can be used in the initial development stage of the model or in the future when you want to add an element.

To develop a one-line diagram using Remote Connectors, follow these steps:

1. Click on the Remote Connector icon in the toolbox on the right hand side and drag the element to the desired location. The diagram shows how to separate the Remote Connector and locate each side to its desired location.



2. After locating the Remote Connectors to the preferred location, you can begin to connect them to your one-line diagram. An example of this connection is illustrated below.



The Remote Connector can be used inside Composite Networks. If you chose to locate one side of your remote locator in a composite network, you will need to follow these steps:

1. Insert a new Remote Connector as illustrated in step one above.
2. Open the Composite Network where you want to make the connection.
3. Press and hold <Ctrl> and <Shift> keys, click on one end section of the Remote Connector, and drag it to its new location inside the Composite Network. Release all keys and one side of the Remote Connector will be in the Composite Network.
4. Connect the desired elements to each end section of the Remote Connector.

Below is an example of the completed steps.

